



PLATIO



PLATIO SOLAR PAVER

■ datasheet

PLATIO SOLAR is a Budapest-based green tech company focusing on creating sustainable building materials. Our company is the developer and manufacturer of **PLATIO** solar pavement.

PLATIO is an innovative, **solar paver tile**, that provides clean energy source, also is an eco-friendly product, as its base is made out of recycled plastic. By combining these features, our product is a double green building material. **PLATIO** functions as solar panels, and we offer an aesthetic and space-saving solution for areas where conventional solar technologies cannot be deployed.

Application areas of **PLATIO** are the following:

- **residential** (pavement, terraces, driveways),
- **public** (sidewalks, parks, bicycle roads, marinas, low traffic roads)
- **industrial** (office and other buildings, warehouses, rooftops)
- **off-grid solutions:** EV charging systems or outdoor utensils (smart bench, outdoor ad screens).

We offer the PLATIO in 4 versions: with 2 solar modules (monocrystalline and polycrystalline) and 2 glass surfaces. All versions have the same features:



FAST & EASY INSTALLATION

Installation is fast and easy to execute, similar to conventional tiling. No heavy duty equipment is necessary.



DURABILITY

High quality engineering ensures resistance to load, impact, scratches and weather, while providing vandalism resilience



SIMPLE TO OPERATE AND MAINTAIN

PLATIO is userfriendly and is maintained like any conventional pavement.



SAFETY

PLATIO operates on safe low voltage and provides the highest available level of anti skidding.



EFFICACY

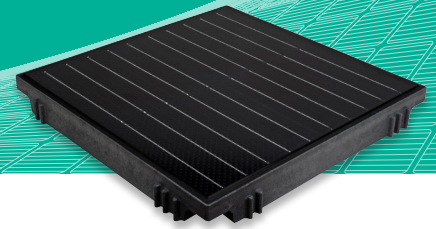
Green energy is harvested by high performing solar cells that are integrated into the pavement.





PLATIO SOLAR PAVER

■ datasheet



GENERAL DATA

Sizes mm	353 x 353 x 41 mm
Joint gap (by spacers) mm	6 mm
Size with gaps (for planning) mm	359 x 359 grid
Surface	gross (with joints): 0,129 net: 0,125 m ² / piece
Material requirements	7,752 pieces / m ²
Weight	6,5 kg / piece
Upper surface	10 mm tempered glass - extra clear material
Surface treatment method	Clear: acid etched pattern; Opal: blasted surface with coating
Anti-skid	R10 - R12 according to DIN 51 130
Frame material	Recycled polymer composite; LDPE and HDPE copolymer with matrix-forming material
Recycled material	100% plastic
Cable type	14 AWG Red: + Black: -; heat resistant till 105°C; resistant to petroleum derivatives
IP protection	IP68
Connector type	IP68; no wire stripping necessary; scotchlok / coolspice connector

TEMPERATURE COEFFICIENT

P _{max}	-0,38 %/°C	
V _{oc}	-0,33 %/°C	- 0,32 %/°C
I _{sc}	-0.05 %/°C	
Standard test condition	AM 1,5 - 1000 W/m ² - 25°C	

LIMIT VALUES

Maximum system voltage	120 VDC
Maximum allowed vehicle wheel load	2000 kg / pcs

WARRANTY

Product guarantee	5 year
Standards	CE, ISO 9001: 2015 - - SELV / DC

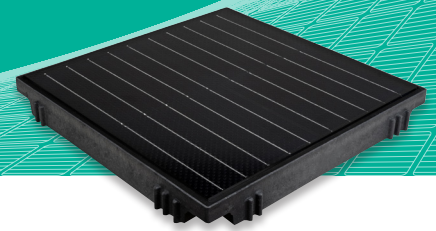
ENVIRONMENT PROTECTION AND CIRCULAR ECONOMY

Reuse	If it has no visible traces of external damage the product is suitable as a cover for walking surfaces even after the life of the solar cells (decades).
Recycle	If removing the glass surface: form a 3-5 mm fraction with a hammer grinder Without removing the glass surface: 0/1 (d / D) material formation with a hammer grinder
Adding recycled material to a new product	In the whole composite: max. 20
Responsibility	Our company recycles the product free of charge in case of delivery to the manufacturing site for an unlimited time from its production



PLATIO SOLAR PAVER

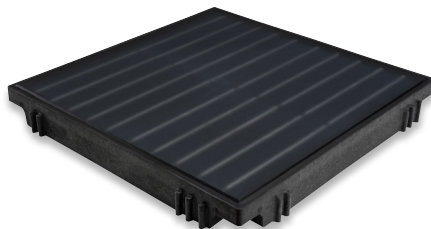
■ datasheet



CLEAR CELL DATA



Cell type	Polycrystalline	Monocrystalline
Cell size	156x156 mm	158.75x158.75 mm
Cells in modules	4 pcs	4 pcs
Nominal power	147 Wp/m ²	172 Wp/m ²
Nominal power	18.28 Wp/pcs	19.41 Wp/pcs
Open circuit voltage	2.56 UOC (V)	2.72 UOC (V)
Short circuit current	8.92 ISC (A)	8.89 ISC (A)
Cell's efficiency	18.6 %	22.3 %
Voltage	2.52 V	2.62 V
Current at point of max. power	8.25 A	8.37 A
Power deviation	±3 %	±3 %



OPAL CELL DATA

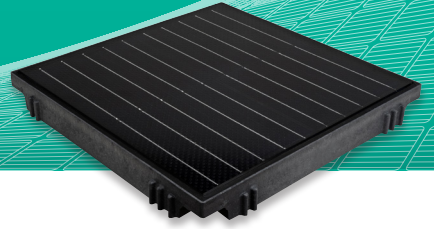


Cell type	Polycrystalline	Monocrystalline
Cell size	156x156 mm	158.75x158.75 mm
Cells in modules	4 pcs	4 pcs
Nominal power	147 Wp/m ²	172 Wp/m ²
Nominal power	18.28 Wp/pcs	19.41 Wp/pcs
Open circuit voltage	2.56 UOC (V)	2.72 UOC (V)
Short circuit current	8.92 ISC (A)	8.89 ISC (A)
Cell's efficiency	18.6 %	22.3 %
Voltage	2.52 V	2.62 V
Current at point of max. power	8.25 A	8.37 A
Power deviation	±3 %	±3 %

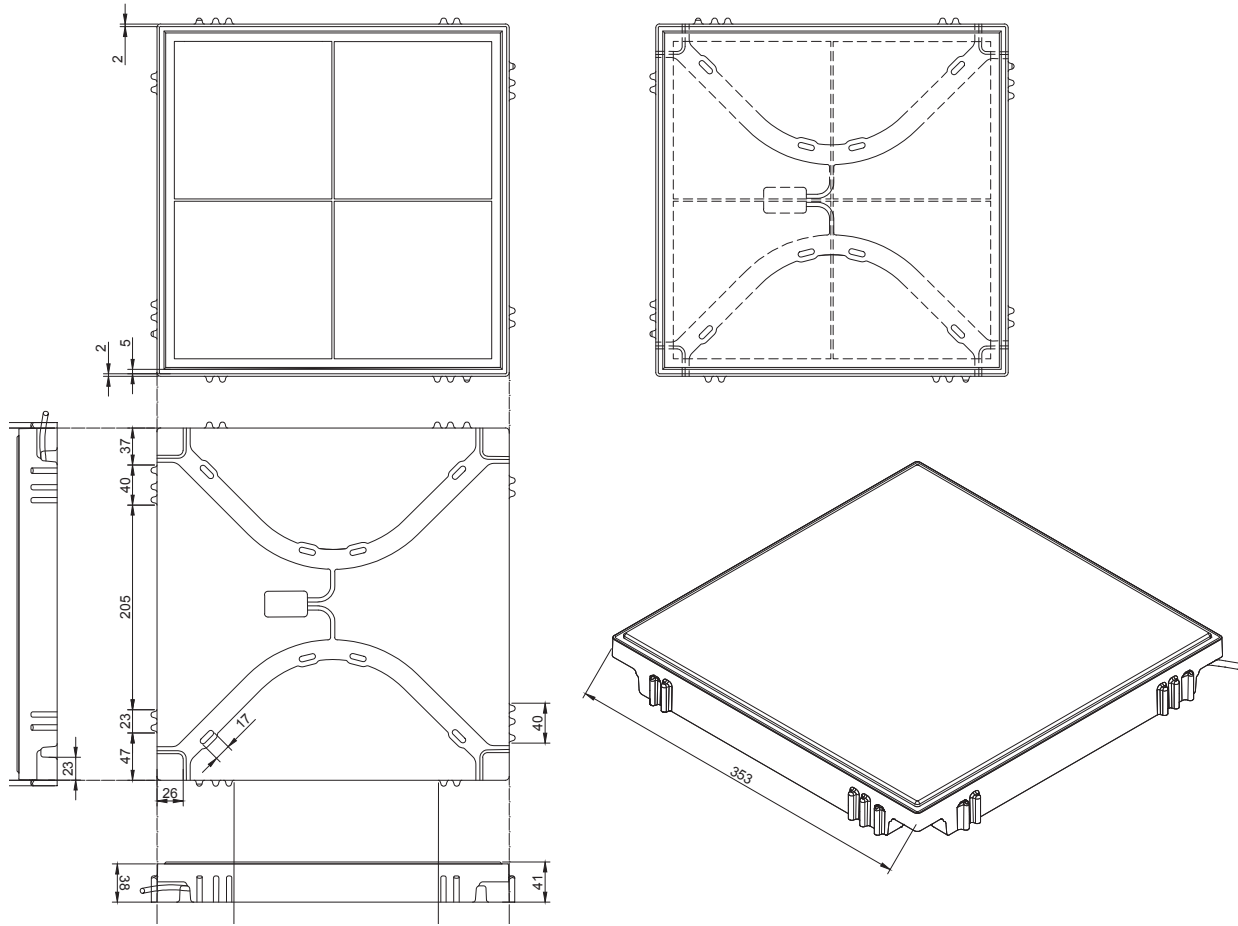


PLATIO SOLAR PAVER

■ technical drawings



PRODUCT TECHNICAL DRAWING



SYSTEM LAYOUT

